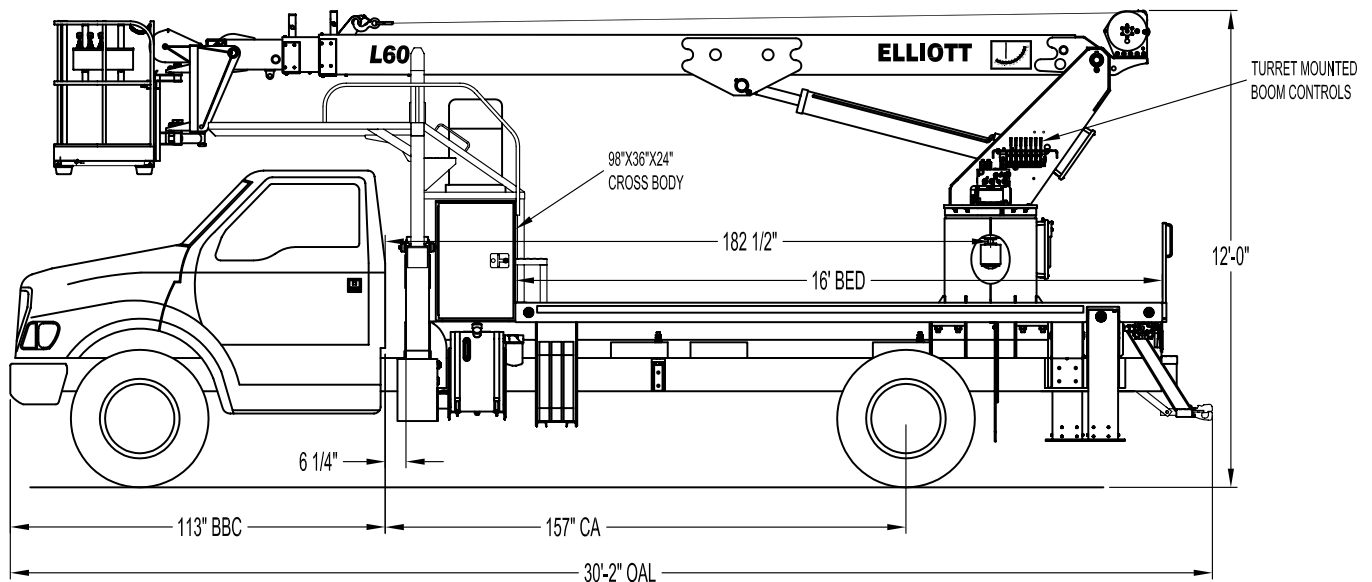




### L60R SIDE VIEW DIAGRAM



- **Working Height** 62'/18.9 m
- **Working Side Reach** 56'/17 m
- **Platform Capacity** 500 lbs/227 kg
- **Platform Size** 30x54 in/76x137 cm
- **Platform Type** EZR
- **Lifting Capacity (Main Winch)** 5,900 lbs/2,676 kg
- **Jib Winch** 500 lbs/227 kg

- **Powered Boom Sections** 3
- **Overall Height** 12'0\"/>3.6 m
- **Unit Weight (Bare)** 13,500 lbs/6,123 kg
- **Outrigger Spread Main** 18'5.5m
- **Outrigger Spread Auxiliary** 12'3.6 m
- **Front Gross Axle Weight Rating** 10,000 lbs/4,536 kg
- **Rear Gross Axle Weight Rating** 19,000 lbs/8,618 kg

## TECHNICAL SPECIFICATIONS

**Maximum Platform Height:** 62' ground to platform floor.

**Working Range:** 62' max. height and 56' max. side reach.

**Work Platform:** 30"x54" EZR end-hung work platform with 40" high rails. Equipped with two safety lanyard attachment loops and two safety harnesses and 72" lanyards. Platform capacity 500 lbs.

**Platform Leveling System:** Hydraulic "closed" system consisting of twin platform cylinders interacting with a boom-actuated master cylinder mounted in boom support turret. System provided with factory-set relief valves to compensate for oil expansion or overload during platform leveling operation. Remote releveling controls provided in platform and at ground controls to give precise releveling capability.

**Platform Controls:** Three individual proportional electronic controllers meter pilot-operated, pressure-compensated modulating valves. Remote controls for boom operations from platform operate from a removable remote control box. Hi/Lo range, start/stop and engine speed toggle controls are also located at platform. Electric remote control cable extends through the electrical slip ring to cable carrier on side of boom to extending boom sections.

**Lower Controls:** Mounted on roadside of turret.

**Outrigger Controls:** Parallel open-center stack valve for lever-operated control of right and left outriggers. The outrigger valves are mounted at the rear, under each corner of the bed with roadside valve controlling roadside outriggers and curbside valve controlling curbside outriggers.

**Outriggers:** One set of "MH" type main outriggers at rear of bed with 18' spread. "A" overframe auxiliary

outriggers with 12' spread behind cab.

**Frame:** One piece, all welded, box-type fabrication with integral outrigger mounts.

**Turret:** Reverse offset turret is one-piece weldment mounted on turret box. Turret rotates on large diameter ball bearing.

**Rotation:** Continuous turret rotation with no stops. Hydraulic motor drives turret through self-locking gear box.

**Boom:** Steel rectangular tube sections. Assembly includes heavy-duty cylinder fittings, pivot pins, and replaceable wear pads.

**Boom Extension:** Two opposing "piggyback" cylinders extend the boom sections.

**Lift:** One single-acting full displacement, long stroke cylinder, provides smooth and stable boom elevation. Holding valve prevents boom from falling in event of hose failure.

**Cylinders:** All cylinders use microhoned cylinder tubing, chrome shafts, top grade packing and protective rod wipers. Cylinder-mounted holding valves provided on all load-holding cylinders.

**Hoses:** All high pressure hoses are wire braid reinforced with a minimum safety factor of 4 to 1.

**Oil Tank Capacity:** 35 gallon mounted to truck frame on roadside.

**Hydraulic System:** Operating pressure is 2,500 PSI. System is parallel open center type and is equipped with liquid-filled pressure gauge. Oil is supplied to upper cylinders through hydraulic union in center of turret to cable carrier along side of the boom.

**Pump:** Gear type, direct mount to truck PTO.

**PTO:** Heavy-duty, high-speed. Cable engaged from cab.

**Cab Equipment:** PTO cable or switch

with indicator lights installed in truck cab. Engine speed control and start/stop installed with control switches in platform remote control box and also located at lower controls. U/L approved 5:BC dry chemical fire extinguisher installed in truck cab.

**Operators Manual & Video:** Two CDs and one printed copy of operation, maintenance, safety and parts manual provided with each unit. Operational and safety video provided at delivery.

**Installation:** Unit installed on truck, painted, system and tank filled with oil, tested, inspected, and ready to operate.

**Standard Paint:** Paint boom and turret red, outriggers red, and bed and boxes black. Top of steel bed painted with black nonskid surface.

**Bumper:** Bureau of Motor Carrier Safety rear bumper.

**Weight:** Approximately 13,500 lbs. with 16' steel-floor bed less truck.

**Truck Chassis Required:** Approx. 120" C.A. RBM 900,000 in-lb. per rail, 10,000 lb. front axle and 25,999 lb. GVWR required. Trucks must have increased cooling, heavy-duty front and rear springs, 12V electrical system with high capacity alternator, cab clearance stop/tail/backup lights, and I.D. lamps. Recommended GVWR is minimum for HI-REACH with flatbed only. Contact factory when additional equipment is to be added.

**Options:**

5,900 lb or 2,000 lb Capacity Boom Winch.

500 lb Capacity Platform Material Handling Jib.

Welder, Air, and 110V Lines to Platform.

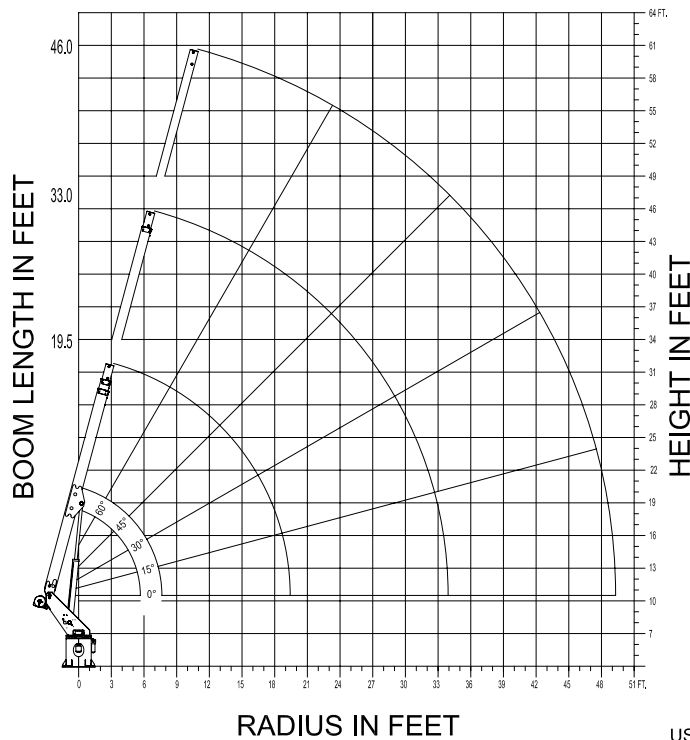
Cab Guard With Platform Access.

Much more....

Elliott Equipment Company reserves the right to change the specification of any unit at any time without prior notice. This brochure is only a statement of general specifications on the date of this publication. For more detailed info on specific Elliott trucks go to [www.elliottequip.com](http://www.elliottequip.com)

**MAXIMUM WORKING LOADS - BOOM WINCH**

**ELLIOTT**  
EQUIPMENT COMPANY  
**MODEL L60**



DO NOT PAINT OVER ANY LABELS

**MAXIMUM WORKING LOADS  
CRANE OPERATION**

WINCH LINE LOAD (POUNDS) ON BOOM  
SHEAVE WITH PLATFORM REMOVED.

RADIUS (FT.)	19.5' BOOM LENGTH		33.0' BOOM LENGTH	
	ANGLE (DEG.)	LOAD (LBS.)	ANGLE (DEG.)	LOAD (LBS.)
5	75	5,900		
7	64	5,900	75	2,200
9	60	5,900	71	2,200
12	47	5,900	66	2,200
13	45	5,900	64	2,200
16	33	5,900	60	2,200
17	30	5,900	58	1,800
19	0	4,500	54	1,800
24			45	1,600
29			30	1,200
33			15	1,100
34			0	1,100

46.0' BOOM LENGTH		
RADIUS (FT.)	ANGLE (DEG.)	LOAD (LBS.)
12	75	2,200
13	73	2,200
16	69	2,200
17	67	2,200
19	65	2,200
24	60	2,200
29	52	1,600
33	47	1,600
34	45	1,600
42	30	1,200
48	15	1,100
49	0	1,100

USE OUTRIGGERS AT ALL TIMES \* AVOID JERKING LOADS 360°  
\* USE 2 PART LINE FOR LOADS OVER 2,500 LBS.  
**DEDUCT 500 LBS. WITH PLATFORM ATTACHED**

1073370 093003

**MAXIMUM WORKING LOADS - JIB WINCH**

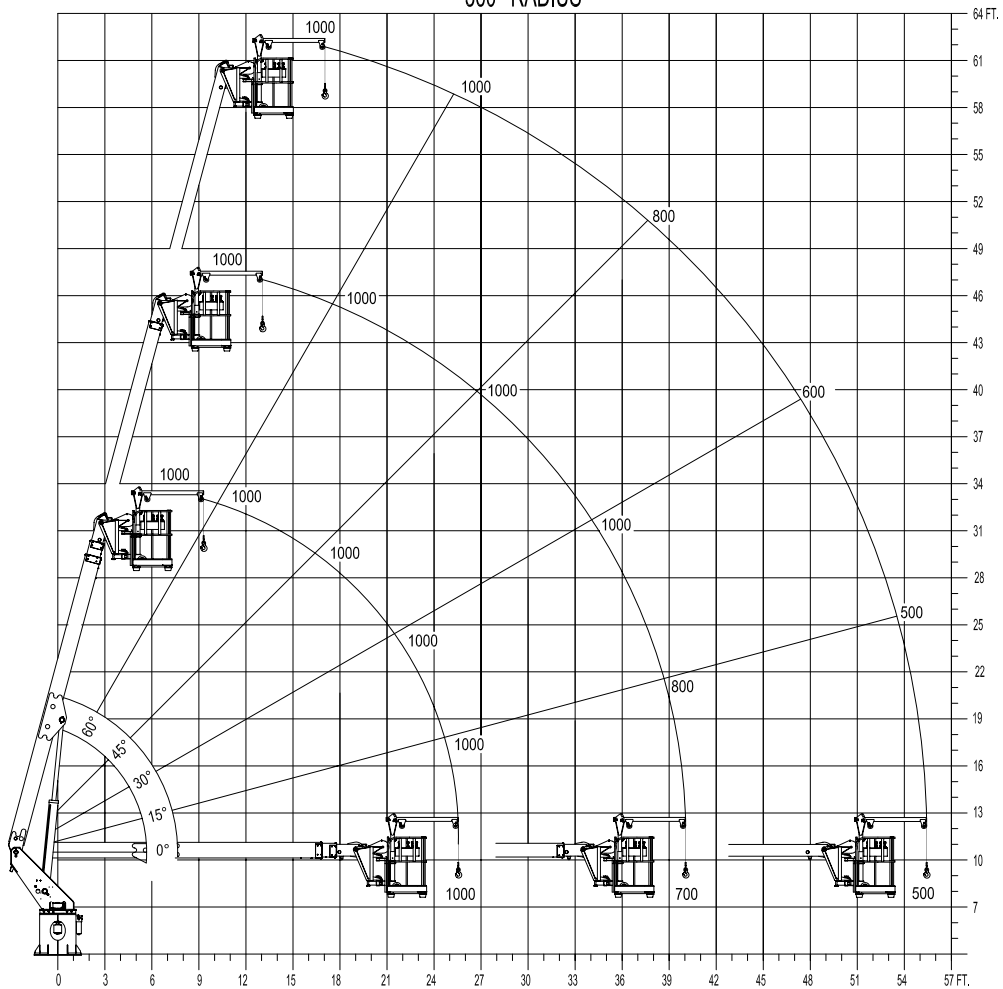
**MAXIMUM WORKING LOADS  
500 LBS. PLATFORM JIB OPERATION**

**MODEL L60**

TOTAL PLATFORM CAPACITY (JIB LOAD PLUS PERSONNEL)

USE OUTRIGGERS AT ALL TIMES • AVOID JERKING LOAD

360° RADIUS



**JIB 500 LBS. MAXIMUM • PERSONNEL 500 LBS. MAXIMUM**

**ELLIOTT**

DO NOT PAINT OVER ANY LABELS

**EQUIPMENT COMPANY**

1070370 062003

## CHASSIS DATA

	L60R
Wheelbase (WB)	187" / 475 cm
Cab to Axle (CA)	120" / 305 cm
Cab to End of Frame (EOF)	211" / 536 cm
Frame Section Modulus	8.2 in3 / 110,000 psi / 758,450 kPa
Front Axle Gross Weight Rating	10,000 lb / 4,536 kg
Rear Axle Gross Weight Rating	19,000 lb / 8,618 kg
Extended Front Frame	N/A

Chassis data is minimum general requirements-not for engineering.  
Actual dimensions and truck data will depend on truck selection and axle configuration.

## OPTIONS



### MH Outriggers With Shortjacking

Reduce outrigger spread with MH outriggers behind the cab and Elliott's automatic safety rotation lockout to operate your HiReach in confined spaces.



### Platform Material Handling Jib

Equip your HiReach platform with a material handling jib crane to lift up to 500 pounds right from the platform.



### High Capacity Boom Winch

Explore the 5,900 lb or 2,000 lb capacity boom winch options that convert the HiReach into a combination aerial work platform and crane.



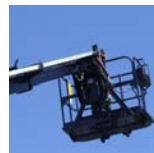
### Outrigger Pad Holders

Outrigger pad holders safely store your pads for travel and leave plenty of room for tool boxes.



### Bed Accessories

Mount a wide variety of tool accessories including welders, power washers, and generators on the bed with lines to the platform.



### Platform Accessories

Choose from a list of platform accessories including 110V outlets, welding leads, hydraulic tools, and much more.



### Cab Windshield Guard

Choose a steel cab windshield guard for added cab protection and walking access from the bed to the platform while in the stowed position.



### Line Body

Let us work with you to customize a line body to secure your tools and supplies the the best way for your application.